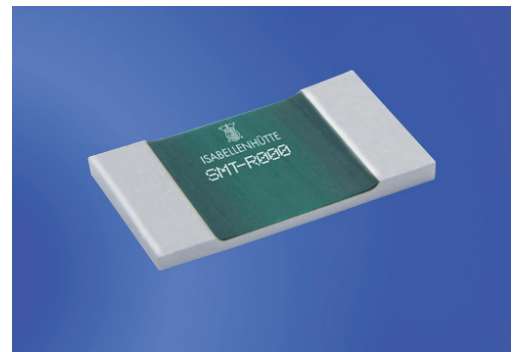


ISA-PLAN® - SMD precision resistors

TECHNICAL DATA	
Resistance values	< 0.2 mOhm
Temperature coefficient	approx. 3800 ppm/K
Applicable temperature range	-65 °C to +170 °C
Load capacity	2 W
Internal heat resistance (R_{thi})	< 25 K/W
Dielectric withstanding voltage	50 VAC
Inductance	< 3 nH

FEATURES

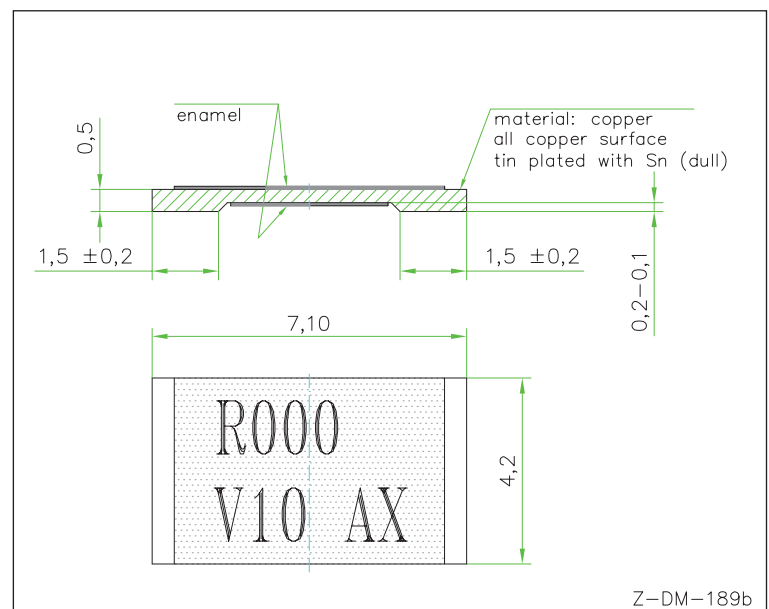
- 2 W permanent power at 120 °C
- Constant current up to 100 A
- Standard pad size (Size 2817)
- Mounting: Reflow- and IR-soldering



Size 2817

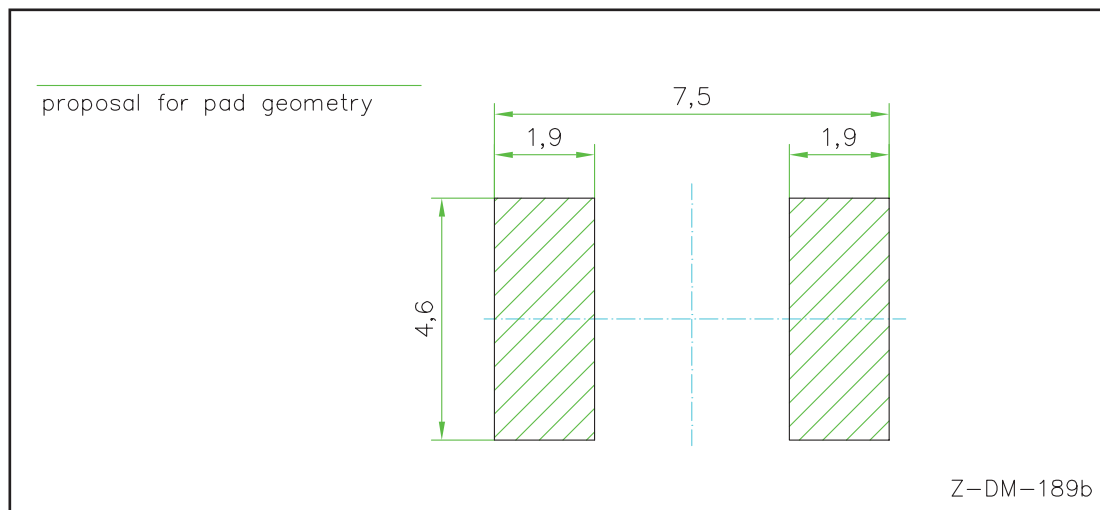
APPLICATION

- Jumper
- Multiple usage of the layout



Dimensions [mm]

Proposal for pcb-layout (Reflow-soldering)

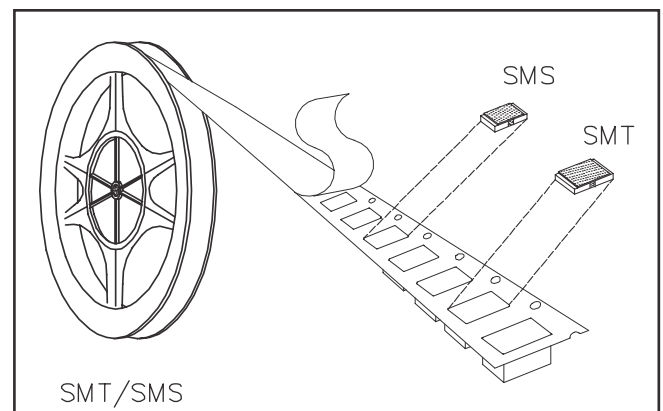


Dimensions [mm]

Recommended solder profile			
Reflow-, IR-soldering			
Temperature [°C]	260	255	217
Time [s]	peak	40	90
RoHS 2002/95/EC compliance since product launch. For more information please visit our website: www.isabellenhuette.de			

TAPE & REEL INFORMATION	
Specification	DIN EN 60286-3
Tape width	12 mm
Parts per reel	5,000

ORDERING CODE
SMT-R000



Warranty

All information regarding the suitability, workability and applicability of our products, all technical advice and other information are provided to the best of our knowledge and belief, but shall not discharge the buyer from his own examinations and tests.