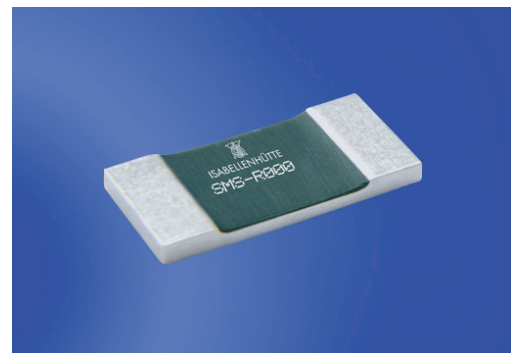


ISA-PLAN® - SMD precision resistors

TECHNICAL DATA	
Resistance values	< 0.2 mOhm
Temperature coefficient	ca./approx. 3800 ppm/K
Applicable temperature range	-65 °C bis/to +170 °C
Load capacity	2 W
Dielectric withstanding voltage	50 VAC
Inductance	< 3 nH
DC current	100 A

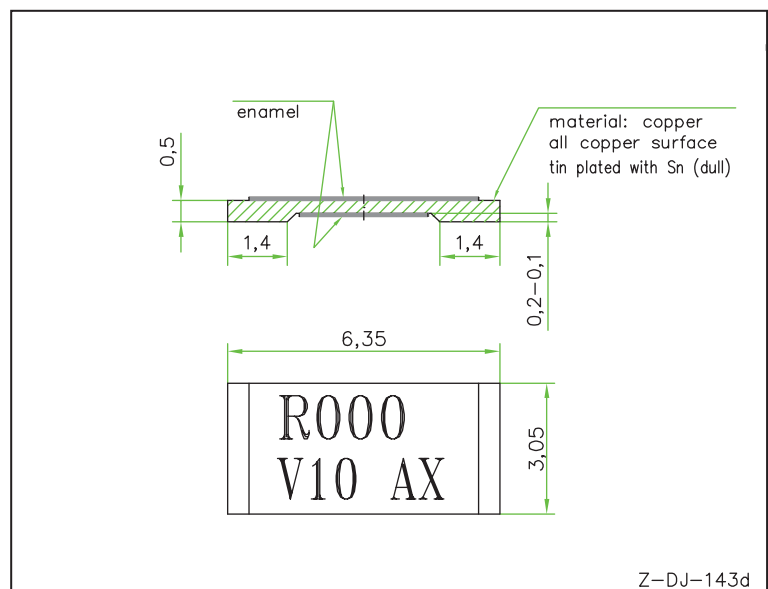
FEATURES

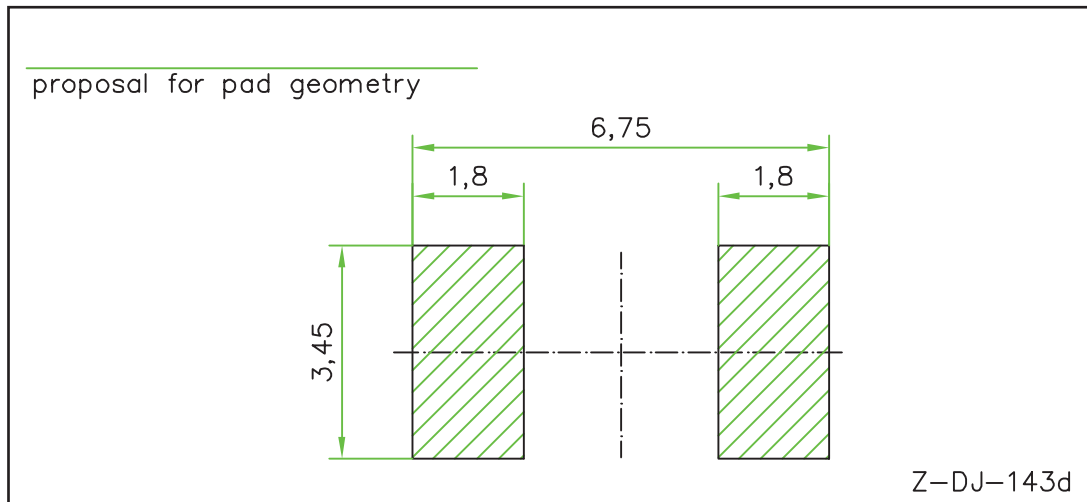
- 2 W permanent power at 120 °C
- Constant current up to 100 A
- Standard pad size (Size 2512)
- Mounting: Reflow- and IR-soldering


Size 2512

APPLICATION

- Jumper
- Multiple usage of the layout


Dimensions [mm]

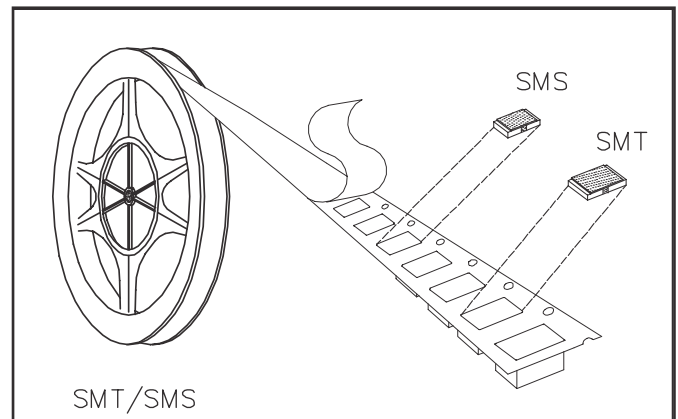
Proposal for pcb-layout (Reflow-soldering)


Dimensions [mm]

Recommended solder profile			
Reflow-, IR-soldering			
Temperature [°C]	260	255	217
Time [s]	peak	40	90
RoHS 2002/95/EC compliance since product launch. For more information please visit our website: www.isabellenhuette.de			

TAPE & REEL INFORMATION	
Specification	DIN EN 60286-3
Tape width	12 mm
Parts per reel	11000

ORDERING CODE
SMS-R000


Warranty

All information regarding the suitability, workability and applicability of our products, all technical advice and other information are provided to the best of our knowledge and belief, but shall not discharge the buyer from his own examinations and tests.